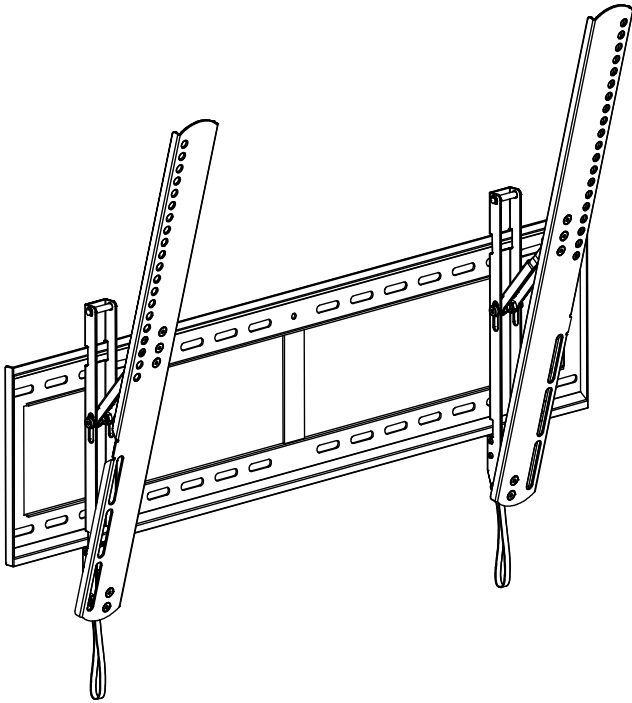




ASSEMBLY INSTRUCTION

TX86

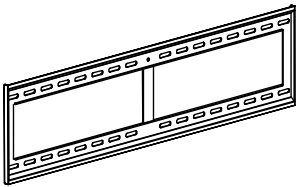


-
- Please read these instructions carefully before using.
 - This model will hold most 52"-84" Flat Panel TVs.
 - Load capacity: 60kg (132Lbs).

TX86 Information

- Please read these instructions carefully before starting.
- This product will hold most 52"-84" Flat Panel TVs.
- Load capacity: 60kg (132Lbs).
- VESA Compliant: 200x200-800x600

Supplied Parts and Hardware: *(Some parts not shown at same scale)*



A-wall plate
1pcs



B-Left Bracket
1pc



C-Right Bracket
1pc

• Hardware list:

D-Anchor 4pcs	E-log bolt 4pcs	F-M8 washer 4pcs	G-M8X16 bolt 4pcs	H-M6X12 bolt 4pcs	I-M5X12 bolt 4pcs

J-M4X12 bolt 4pcs	K-M8X40 bolt 4pcs	L-M8X35 bolt 4pcs	M-M5X30 bolt 4pcs	N-M4X30 bolt 4pcs	O-M5/M4 washer 4pcs

P-M8/M6 washer 4pcs	Q-M8/M6 spacer 4pcs	R-M5/M4 spacer 4pcs	S-4mm Alley key 1pc

Safety Warning

Please read this entire manual carefully before assembling this unit to avoid bodily injury and/or any property loss. If you do not understand these directions, or have any doubts about the safety of the installation, please call Tech Support at 1-866-839-9187.

Please check carefully to ensure there are no missing or defective parts. Our customer representatives can quickly assist you with installation questions and missing or defective parts. Replacement parts for products purchased through authorized dealers will be shipped to you directly.

Do not attempt to use any parts not provided by the manufacturer. Using other screws could cause injury or property loss.

Never use defective parts, as improper installation may cause damage or serious injury.

Do not use this product for any purpose not explicitly specified by Metra Home Theater Group™. Metra Home Theater Group™ cannot be liable for damage or injury caused by incorrect assembly, or incorrect use.

- Read these instructions.
- Keep these instructions.
- Heed all warnings.
- Follow all instructions.
- **WARNING:** Use only the supplied screws intended for the current application to avoid personal injury or property damage.

Assembly Instructions

Step 1: Read and understand all of the directions. Use only as according to the directions.

Step 2: Mount the wall plate (A) on the wall

Wood Stud Mounting:

The Wall Plate must be mounted to the center point of two wood studs that are at least 16 inches apart. The minimum width of these wood studs should be at least 1.5" (standard US 2" x 4").

Find the stud locations then hold the wall mount bracket against the wall.

While using a level to verify that the wall mount bracket is correct, mark the bolt hole locations that coincide with the studs.

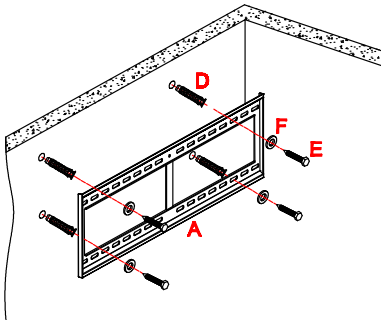
Using a 2/5" or 10mm drill bit Pre-drill a 2.5"/64mm deep hole in each marked location.

Attach the Wall Plate (A) to the wall using the supplied screws and washers. Please make sure that the screws have been tightened and are secure.

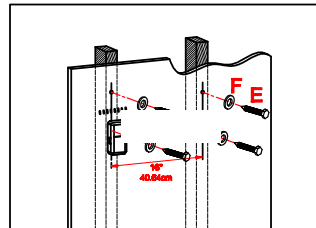
Attach the vertical arms to the back of your display (securely).

Hang the display on the top rail of the wall mount bracket.

Before seating the mount into the lower rail of the wall mount bracket connect and route all of the connecting cables and power cord.



Wood Double Stud



Concrete Wall Mounting:

Choose a solid wall area (avoid the hollow wall or the screws in the joint of the bricks).

Hold the wall mount bracket against the wall. While using a level to verify that the wall mount bracket is correct, mark the bolt hole locations.

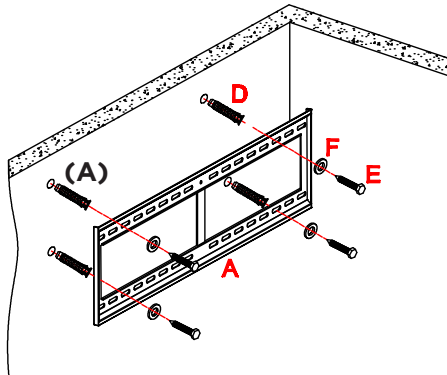
Pre-Drill the marked locations with a 3/8" masonry bit then insert the plastic lag inserts.

Attach the vertical arms to the back of your display (securely).

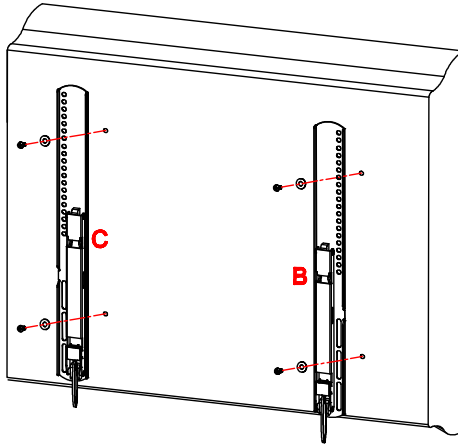
Hang the display on the top rail of the wall mount bracket.

Before seating the mount into the lower rail of the wall mount bracket connect and route all of the connecting cables and power cord.

Note: Be sure to choose a smooth wall area that is strong enough to hold the weight of the TV and wall mount. The installation should be far away from water and direct sunlight.



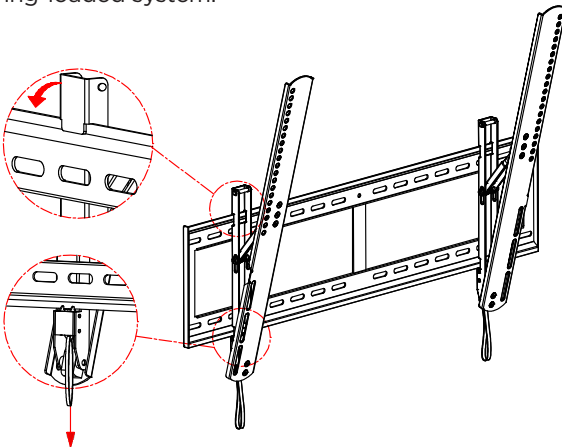
Step 3: Attach two brackets (B) to TV back



Note: Please use the correct screw & washer for the holes of the TV back, Assembly with incorrect screw & washer will damage the holes on the TV back, uneven assembly will cause slantwise TV screen.

Reasonable knowledge is required to mount the flat panel TV and the wall mount and at least 2 people need to be used to finish the mounting procedure (D). Do not attempt to do the installation alone as injury to self and damage to equipment/property may occur.

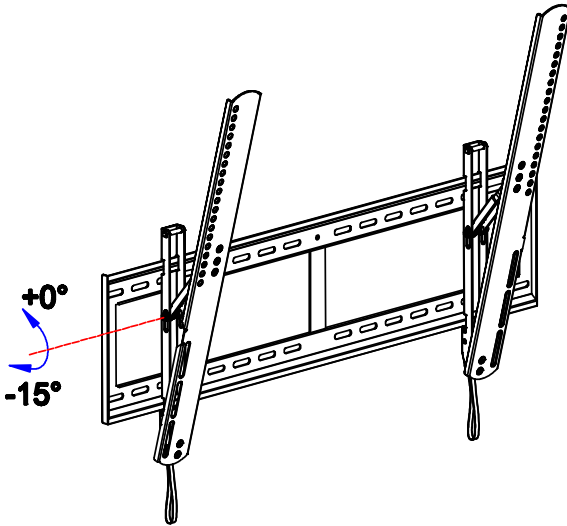
Step 4: Hang pro-assembled TV unit on the wall plate and lock it via the spring-loaded system.



Note: This step requires 2 or more people to finish.

Step 5: Adjust the TV angle and manage the wire
You can loosen screw (4) to adjust tilting angle.
When it is at your desired angle, you can tighten screws.

Function: With this wall mount, you can enjoy the TV from different angles freely!



Note: Pay extra care and attention when you fasten TV mounts to the back panel of TV. Make Sure the appropriate mount hardware is being used properly.

1. Select correct mounting hardware according to the screw hole size of your TV, discard any remaining screws or washers.
2. Carefully lay your TV on its face on a non-abrasive surface, making sure to lay padding underneath it so as not to damage the TV screen.
3. Place left TV mount and right mount in the appropriate position, making sure they are centered on the back of the TV and level with one another.



©2016 Metra Electronics Corporation, 460 Walker Street, Holly Hill, FL 32117-2699
Specifications are subject to change without notice.
All trademarks are the property of their respective owners.

1-866-839-9187 • www.metrahometheater.com