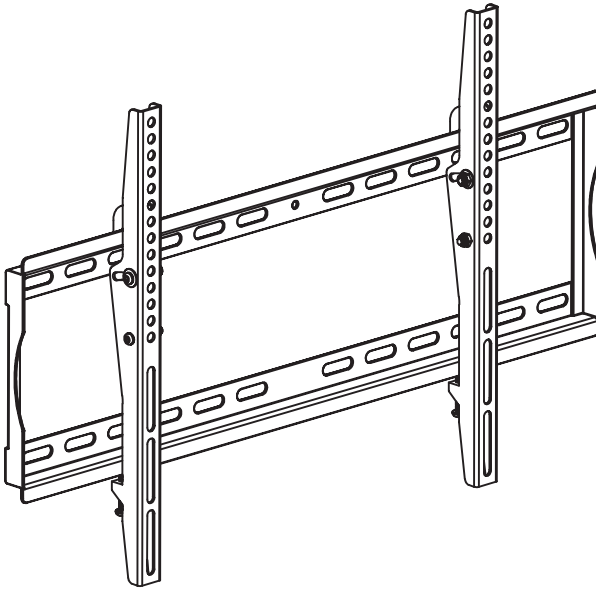


HELIOS®

Assembly Instructions

TL64



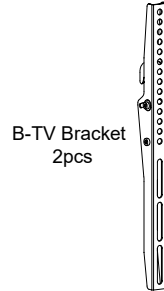
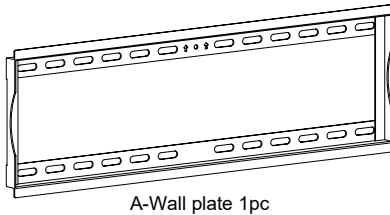
- Please read these instructions carefully before using.
- This model will hold most 32-60 Flat Panel TVs.
- Load capacity: 40kg (88Lbs).

TL64 Information

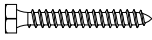




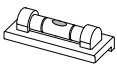
- Please read these instructions carefully before starting.
- This product will hold most 32-60 Flat Panel TVs.
- Load capacity: 40kg (88Lbs).
- VESA Compliant: 100x100, 200x200, 400x400, 600x400

Supplied Parts and Hardware: *(Some parts not shown at same scale)*









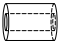
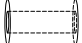


● Part list:



● Wall mounting hardware:

			
01--Lag bolt 4pcs	02--M8 washer 4pcs	03--Anchor 4pcs	04--Wrench 1pcs
			
05--Allen Key 1pc	06--Bubble level 1pc		

● TV mounting hardware

			
a--M4x12 bolt 4pcs	b--M5x12 bolt 4pcs	c--M6x12 bolt 4pcs	d--M8x16 bolt 4pcs
			
e--M4x30 bolt 4pcs	f--M5x30 bolt 4pcs	g--M6x35 bolt 4pcs	h--M8x40 bolt 4pcs
			
i--M4/M5 spacer 4pcs	j--M8/M6 spacer 4pcs	k--M4/M5 washer 4pcs	l--M6 washer 4pcs

Safety Warning

Please read this entire manual carefully before assembling this unit to avoid bodily injury and/or any property loss. If you do not understand these directions, or have any doubts about the safety of the installation, please call Tech Support at 1-866-839-9187.

Please check carefully to ensure there are no missing or defective parts. Our customer representatives can quickly assist you with installation questions and missing or defective parts. Replacement parts for products purchased through authorized dealers will be shipped to you directly.

Do not attempt to use any parts not provided by the manufacturer. Using other screws could cause injury or property loss.

Never use defective parts, as improper installation may cause damage or serious injury.

Do not use this product for any purpose not explicitly specified by Metra Home Theater Group™. Metra Home Theater Group™ cannot be liable for damage or injury caused by incorrect assembly, or incorrect use.

- Read these instructions.
- Keep these instructions.
- Heed all warnings.
- Follow all instructions.
- **WARNING:** Use only the supplied screws intended for the current application to avoid personal injury or property damage.

Assembly Instructions

Step 1: Read and understand all of the directions. Use only as according to the directions.

Step 2: Mount the wall plate (A) on the wall

Wood Stud Mounting:

The Wall Plate must be mounted to the center point of two wood studs that are at least 16 inches apart. The minimum width of these wood studs should be at least 1.5" (standard US 2" x 4").

Find the stud locations then hold the wall mount bracket against the wall.

While using a level to verify that the wall mount bracket is correct, mark the bolt hole locations that coincide with the studs.

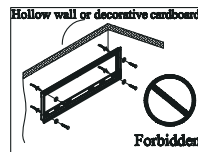
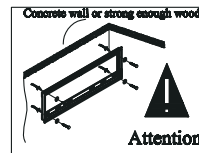
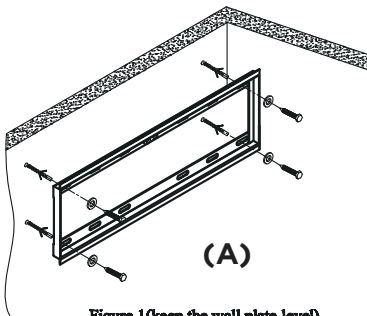
Using a 7/32 drill bit Pre-drill a 2.5" deep hole in each marked location.

Attach the Wall Plate to the wall using the supplied lags and washers. Please make sure that the lags have been tightened and are secure.

Attach the vertical arms (B) to the back of your display (securely).

Hang the display on the top rail of the wall mount bracket (C).

Before seating the mount into the lower rail of the wall mount bracket connect and route all of the connecting cables and power cord.



Concrete Wall Mounting:

Choose a solid wall area (avoid the hollow wall or the screws in the joint of the bricks).

Hold the wall mount bracket against the wall. While using a level to verify that the wall mount bracket is correct, mark the bolt hole locations.

Pre-Drill the marked locations with a 3/8" masonry bit then insert the plastic lag inserts.

Attach the vertical arms (B) to the back of your display (securely).

Hang the display on the top rail of the wall mount bracket (C).

Before seating the mount into the lower rail of the wall mount bracket connect and route all of the connecting cables and power cord.

Note: Be sure to choose a smooth wall area that is strong enough to hold the weight of the TV and wall mount. The installation should be far away from water and direct sunlight.

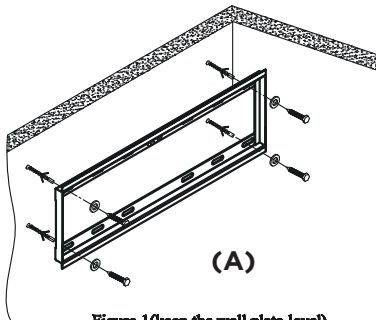
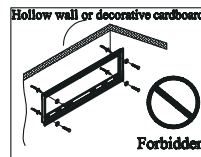
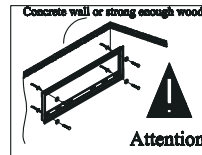
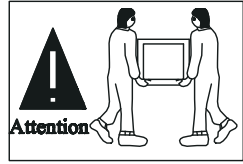
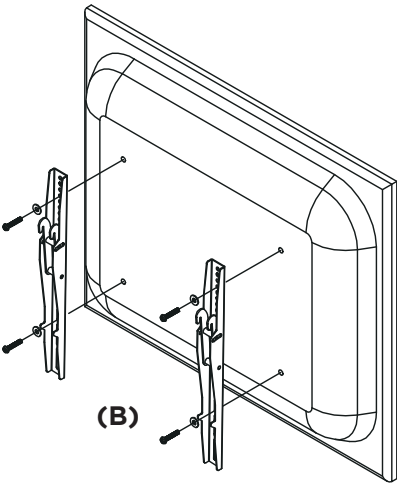


Figure 1(keep the wall plate level)



Step 3: Attach two brackets (B) to TV back



(D)

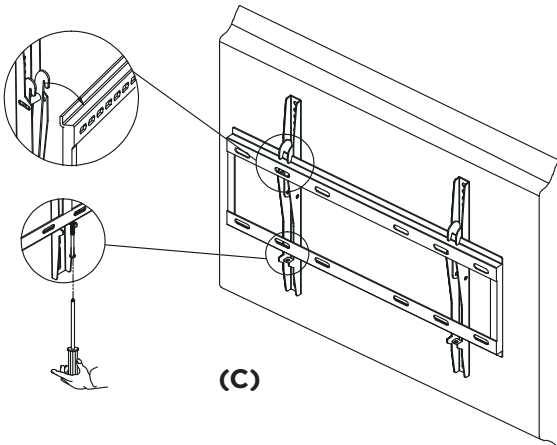


(E)

Note: Please use the correct screw & washer for the holes of the TV back, Assembly with incorrect screw & washer will damage the holes on the TV back, uneven assembly will cause slantwise TV screen.

Reasonable knowledge is required to mount the flat panel TV and the wall mount and at least 2 people need to be used to finish the mounting procedure (D). Do not attempt to do the installation alone as injury to self and damage to equipment/property may occur.

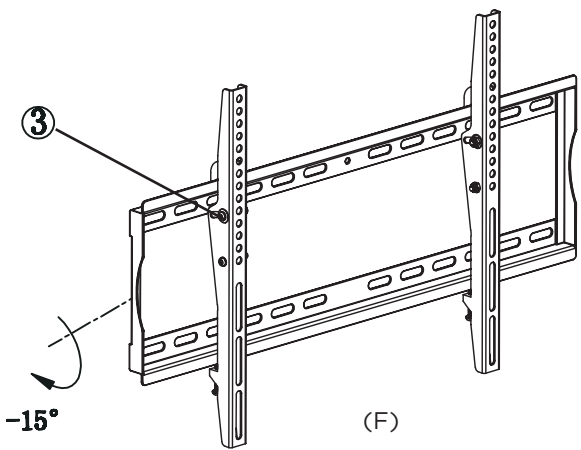
Step 4: Hang pro-assembled TV unit on the wall plate and tighten the safety screws at the bottom of the verticle arms.



Note: This step requires 2 or more people to finish (E).

Step 5: Adjust the TV angle and manage the wire
You can loosen screw (3) to adjust tilting angle.
When it is at your desired angle, you can tighten screws.

Function: With this wall mount, you can enjoy the TV from different angles freely (F)



HELIOS[®]

©2019 Metra Electronics Corporation, 460 Walker Street, Holly Hill, FL 32117-2699
Specifications are subject to change without notice.
All trademarks are the property of their respective owners.

1-866-839-9187