

# Tailgate-Down TV Stand

## Assembly Instructions

### **CAUTION**

**CAREFULLY READ ALL INSTRUCTIONS PRIOR TO ASSEMBLING OR USING THIS MOUNT.**

**THE MOUNT SHOULD ONLY BE USED ON A STATIONARY VEHICLE AND IS NOT TO BE USED IN TRANSIT.**

**THE MOUNT SHOULD NOT BE USED AS A STEP.**

**THE MOUNT MUST BE SECURED TO YOUR VEHICLE'S HITCH RECEIVER WITH A HITCH PIN (NOT INCLUDED) BEFORE USE.**

**IMPROPER INSTALLATION OR USE MAY RESULT IN PERSONAL INJURY OR DAMAGE TO TV AND VEHICLE.**

## Assembly Hardware Included



M4 x 12mm

**x 4**



M4 x 30mm

**x 4**



M4 x 40mm

**x 4**



M5 x 12mm

**x 4**



M5 x 30mm

**x 4**



M5 x 40mm

**x 4**



M6 x 14mm

**x 4**



M6 x 40mm

**x 4**



M6 x 55mm

**x 4**



M8 x 16mm

**x 4**



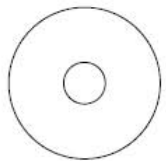
M8 x 45mm

**x 4**



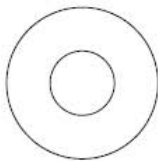
M8 x 60mm

**x 4**



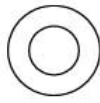
M4 / M5

**x 4**



M6 / M8

**x 4**



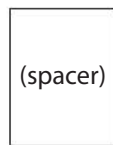
M6

**x 8**



M6

**x 4**



(spacer)

14mm

**x 4**



(spacer)

24mm

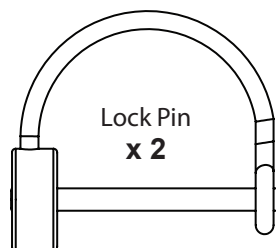
**x 4**



(spacer)

38mm

**x 4**



Lock Pin

**x 2**

# Tailgate-Down TV Stand

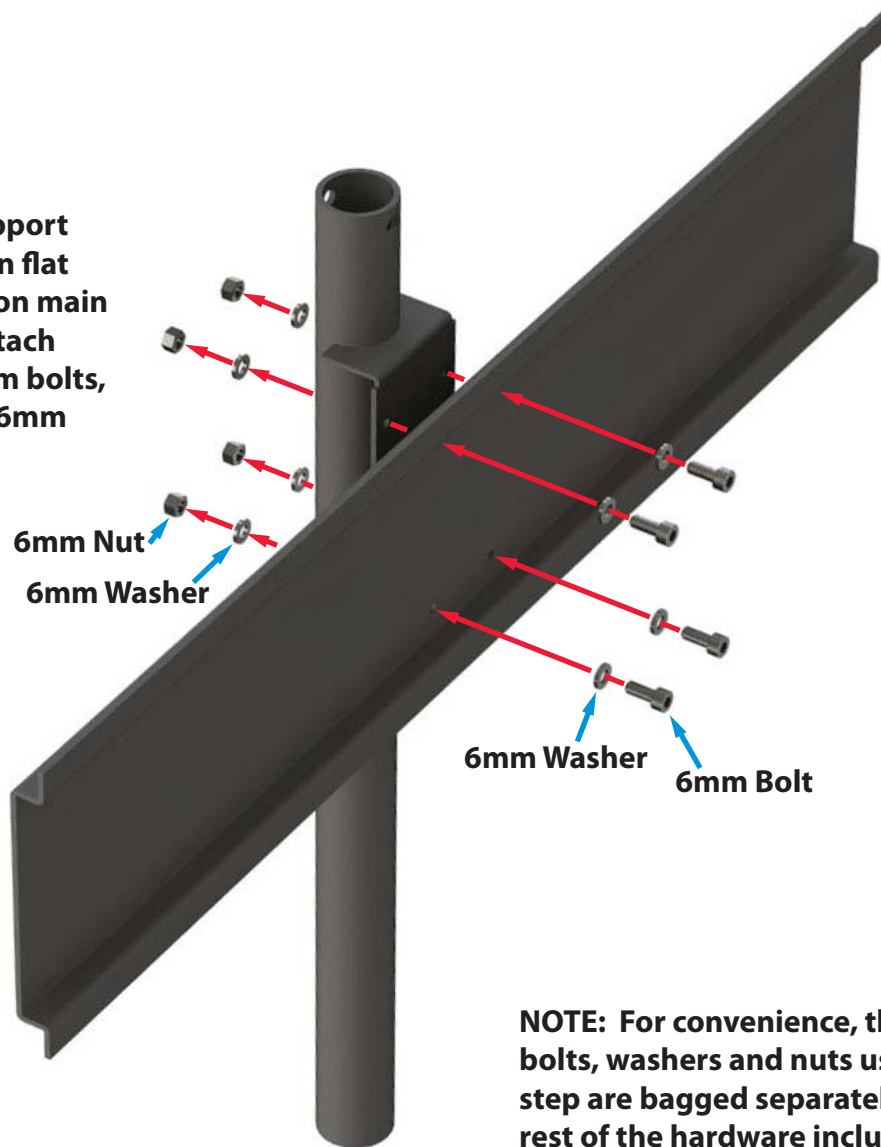
## Assembly Instructions

Thank you for purchasing this Tailgate TV Stand. Its rugged construction coupled with an award-winning design ensure years of use and enjoyment.

Please familiarize yourself with all the assembly steps, and locate the hardware needed for each step before proceeding. All necessary assembly hardware, unless noted, is included.

### STEP 1

Align 4 holes in support plate with 4 holes in flat mounting bracket on main TV support, and attach using included 6mm bolts, 6mm washers and 6mm nuts, as shown.



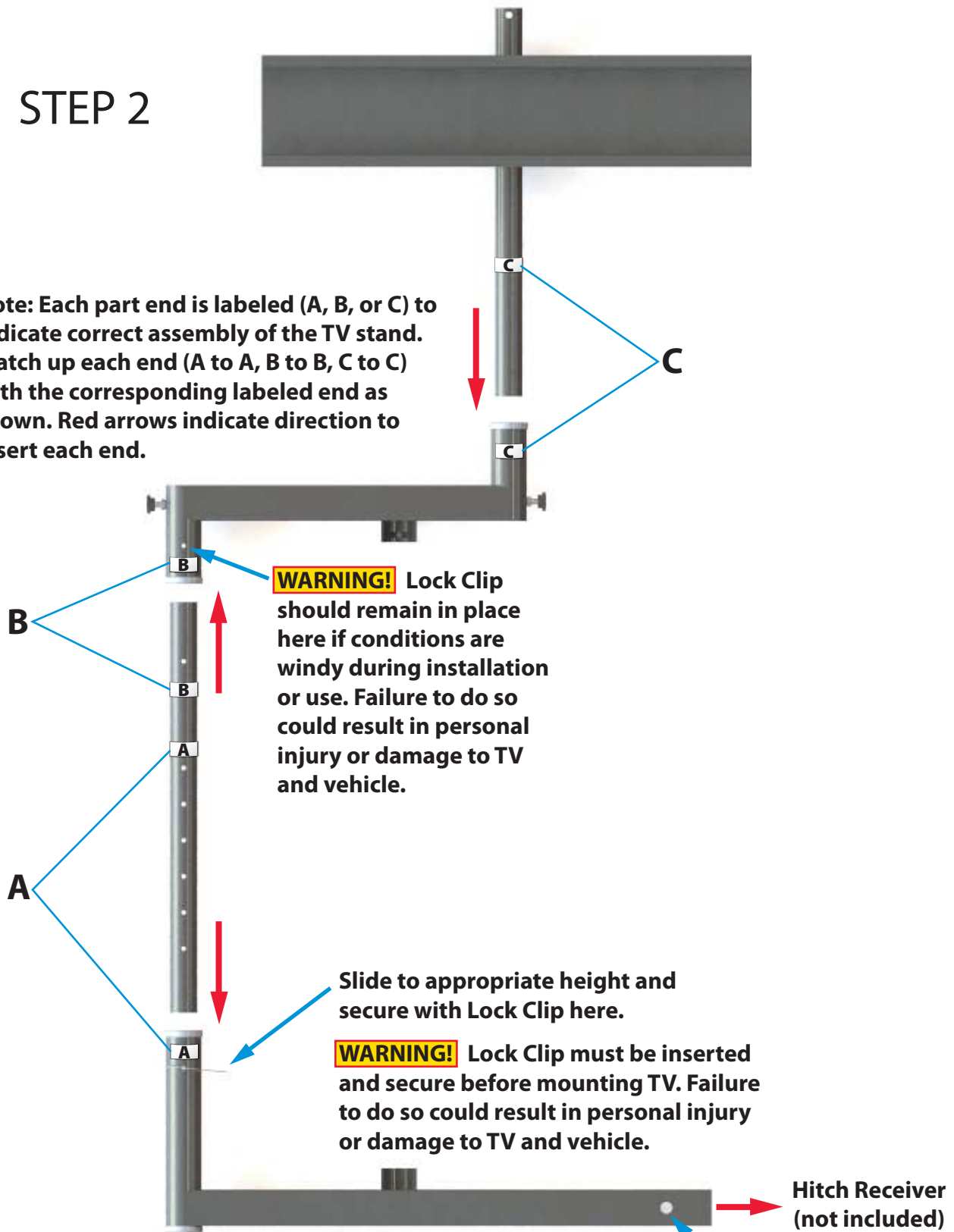
**NOTE:** For convenience, the 6mm bolts, washers and nuts used for this step are bagged separately from the rest of the hardware included with this mount.

# Tailgate-Down TV Stand

## Assembly Instructions

### STEP 2

Note: Each part end is labeled (A, B, or C) to indicate correct assembly of the TV stand. Match up each end (A to A, B to B, C to C) with the corresponding labeled end as shown. Red arrows indicate direction to insert each end.



**WARNING!** Lock Clip should remain in place here if conditions are windy during installation or use. Failure to do so could result in personal injury or damage to TV and vehicle.

Slide to appropriate height and secure with Lock Clip here.

**WARNING!** Lock Clip must be inserted and secure before mounting TV. Failure to do so could result in personal injury or damage to TV and vehicle.

Hitch Receiver (not included)

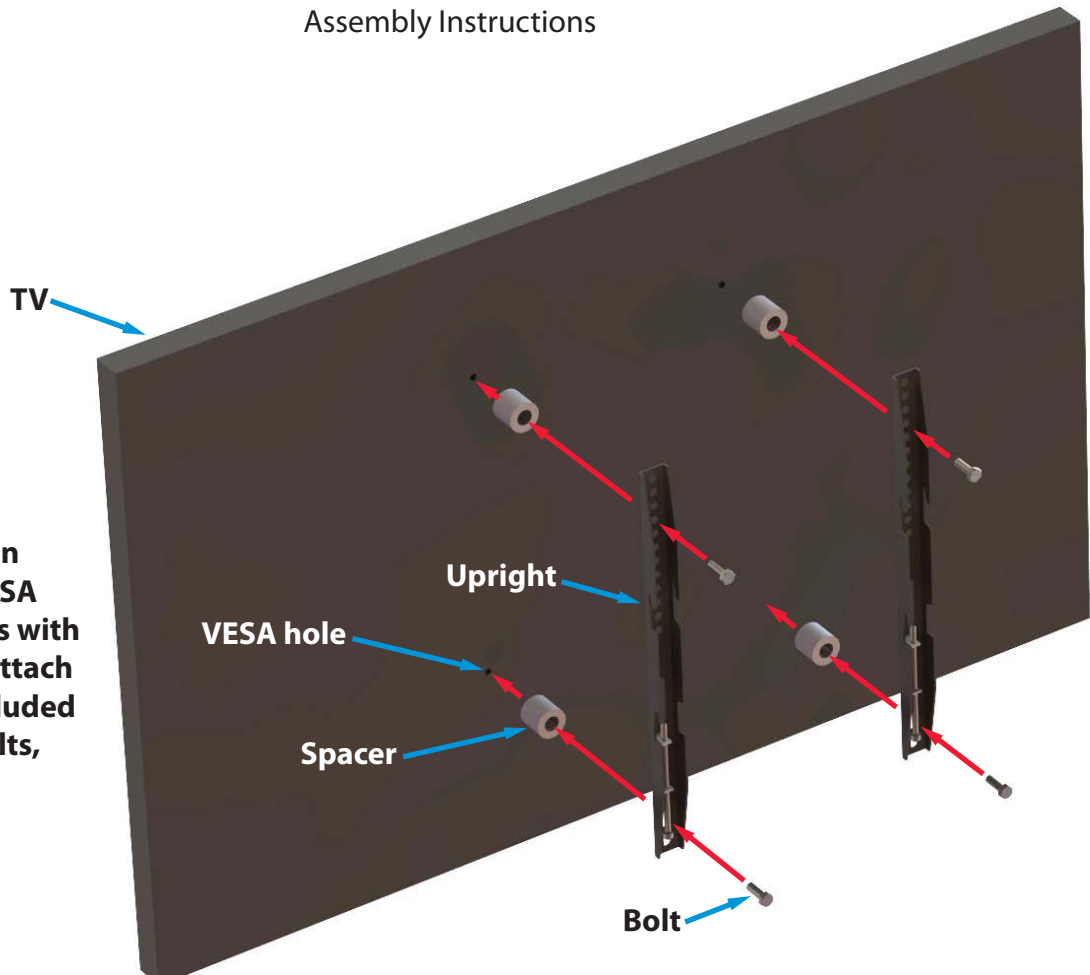
**WARNING!** Hitch Pin (not included) must be inserted to securely mount to vehicle.

# Tailgate-Down TV Stand

## Assembly Instructions

### STEP 3

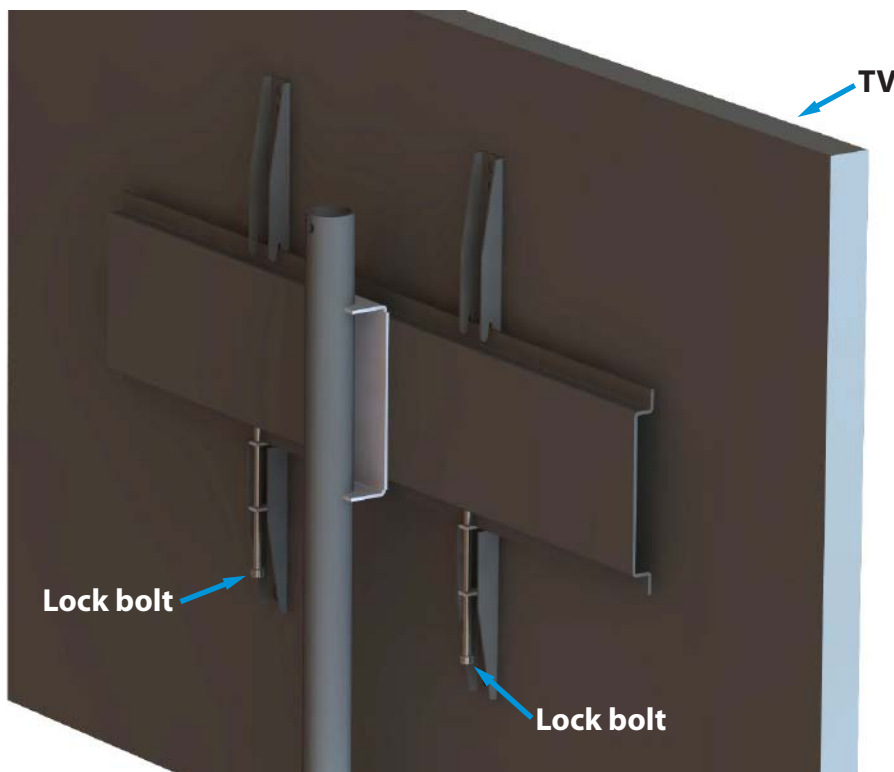
Locate and align appropriate VESA mounting holes with uprights, and attach to TV using included spacers and bolts, as shown.



### STEP 4

Hang TV as shown, and tighten lock bolts.

**WARNING!** Lock bolts must be snug, or personal injury or damage to TV could result.



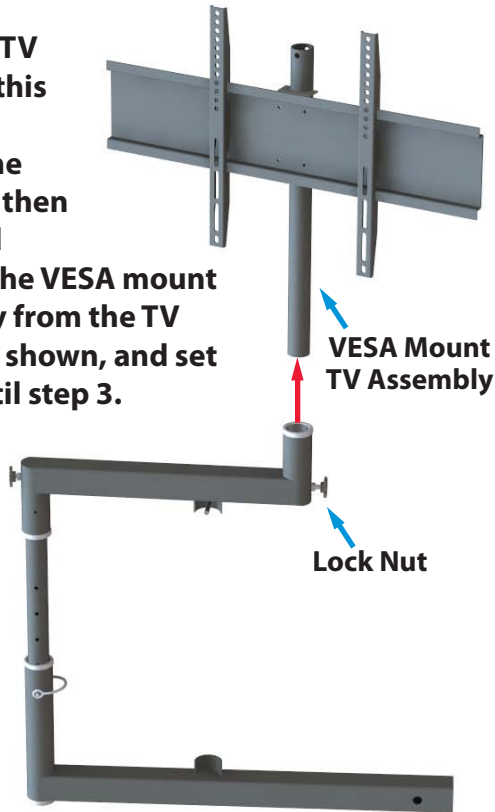
# Cradling TV for Transport Option

**WARNING!** Many TV's, especially older models, cannot be transported while laying flat. Please consult the documentation for your TV before using the Cradle Option for transport. Metra assumes no responsibility for damage done to your TV during transport.

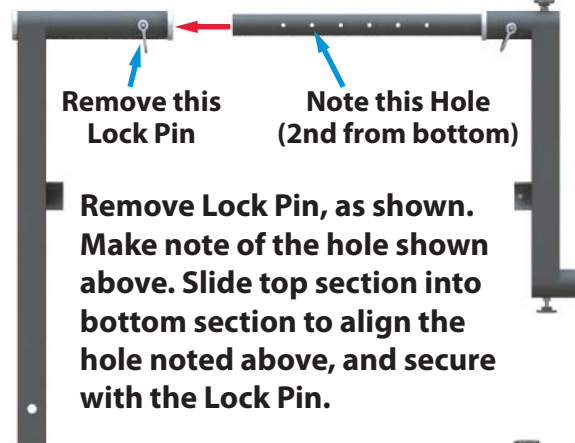
## Instructions for using the Cradle Transport Option

① With the TV stand in this position,

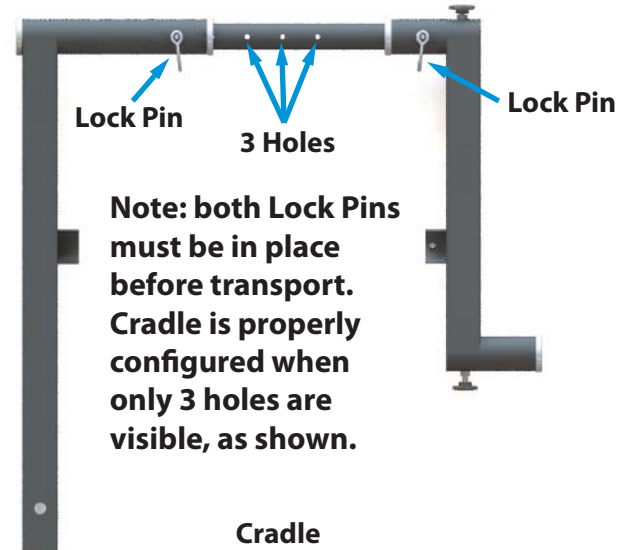
loosen the lock nut, then raise and remove the VESA mount assembly from the TV stand, as shown, and set aside until step 3.



② Remove the remaining TV Stand from your vehicle hitch receiver and place the Lock Pin hole in this position.

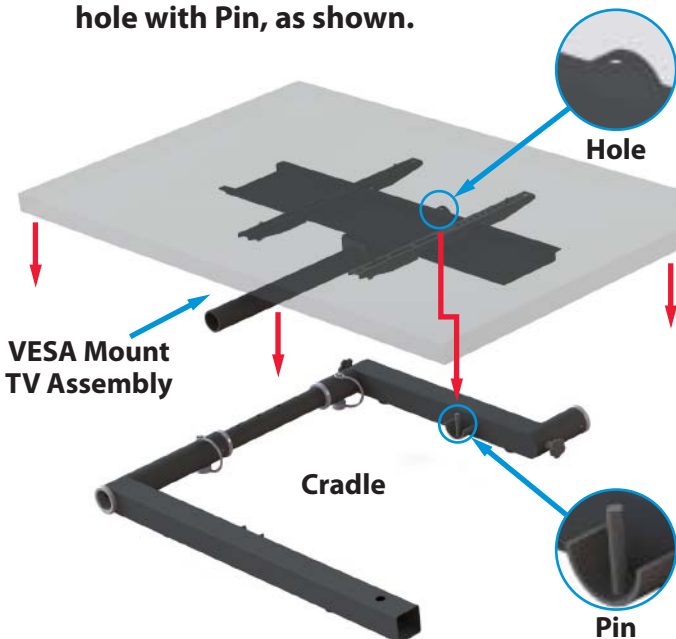


Remove Lock Pin, as shown. Make note of the hole shown above. Slide top section into bottom section to align the hole noted above, and secure with the Lock Pin.



Note: both Lock Pins must be in place before transport. Cradle is properly configured when only 3 holes are visible, as shown.

③ Carefully lay VESA Mount TV Assembly (from step 1) into Cradle (from step 2), aligning hole with Pin, as shown.



④ TV Stand Ready for Transport

