

HELIOS[®]

BY AUDIO SOLUTIONS

LPU64

ASSEMBLY INSTRUCTIONS



- Please read this instruction manual carefully before assembly
- Fits 42-84 in plasma and LCD TVs
- Weight Capacity 45kg (99lbs)

Metra[®]
HOME THEATER GROUP

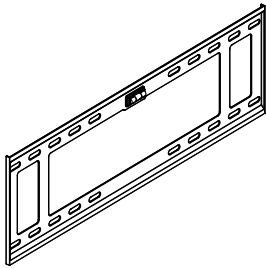
MetraHomeTheater.com
866-839-9187

460 Walker Street
Holly Hill, FL 32117-2653
©2017 Metra Electronics Corporation
Designed and Manufactured to
Metra Home Theater Group Specifications
MADE IN CHINA

SAFETY WARNING:

- Never let children climb on product or play with the product.
- Do not sit or stand on the product.
- Do not fasten a TV that is heavier than the recommended load rating to the mount.
- Mount to a suitable wood stud wall.
- Improper installation may cause property damage and/or personal injury, so the installation must be performed by two qualified contractors.
- The manufacturer is not liable for damage or injury caused by incorrect mounting, assembly or use.
- Improper handling can result in cuts and lacerations.
- Pictures/diagrams are for reference only, subject to our available products.
- Keep this instruction manual for future reference.

● Parts list:



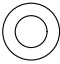


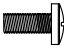
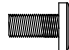






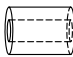
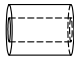




A--Wall plate
1pc



B--Bracket
2pcs

● Hardware list:

		
H--Lag bolt 4pcs	I--Anchor 4pcs	J--M8 Washer 4pcs

					
a--M4X12 bolt 4pcs	b--M5X12 bolt 4pcs	c--M6X12 bolt 4pcs	d--M8X25 bolt 4pcs	e--M4X30 bolt 4pcs	f--M5X30 bolt 4pcs
					
g--M6X35 bolt 4pcs	h--M8X50 bolt 4pcs	i--M5/M6 spacer 4pcs	j--M8 spacer 4pcs	k--M4/M5 washer 4pcs	l--M6 washer 4pcs
					
m--10mm spacer 4pcs	n--2.5mm spacer 8pcs				

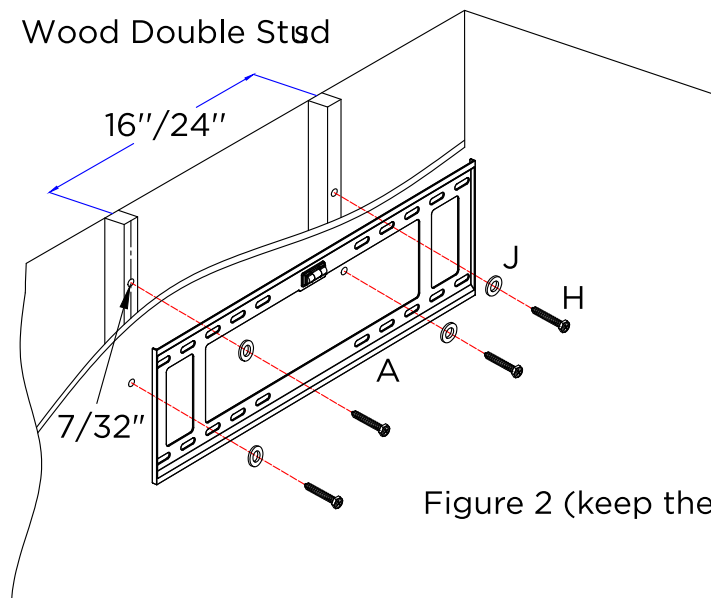
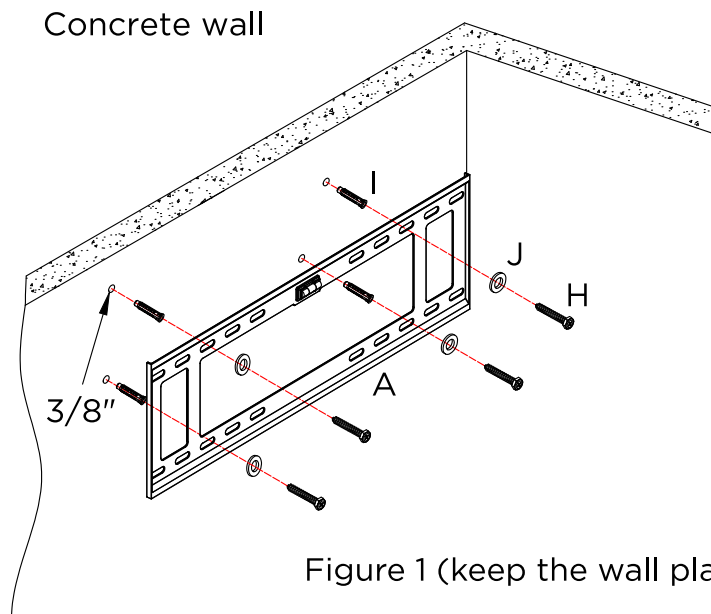
Step 1: Please remove the plaster board on the surface of the concrete wall when assembling the mount on a concrete wall. Hold wall plate (A) against wall at the desired position on the concrete wall then, using a pencil, mark 4 hole locations. Then drill holes according pencil marks using a 3/8" size drill bit to a depth of 2.5". Insert wall anchors (I) into the holes. You may need to use a hammer to lightly tap the wall anchors into the wall. Then fix the wall plate (A) to the wall with screws(H) and washers(J). (Figure 1)

CAUTION: The concrete wall must have a minimum thickness of no less than 5.5" and the surface covering cannot exceed 3/8"

If you mount the TV mount into wood studs, pre-drill the 4 mark holes using a 7/32" drill bit to a depth of 2.5". Then fix the wall plate unit (A) to the wall with screws (H) and washers (J). (Figure 2)

CAUTION: The wood stud minimum size is 2x4", and the surface covering cannot exceed 5/8". Drill holes on the wooden stud's center line.

CAUTION: Do not install on concrete block.



Step 2: Attach the TV plate (B) to the back of the TV, then choose the corresponding bolt, washer and spacer to fit the mounting holes on the rear of the TV. If the back of the TV is not flat, or the bolts used to assemble the TV are too long, or there is interference between the TV bracket and cable inlets, we highly recommend the use of spacers.

CAUTION: Using incorrect bolts may damage your TV.

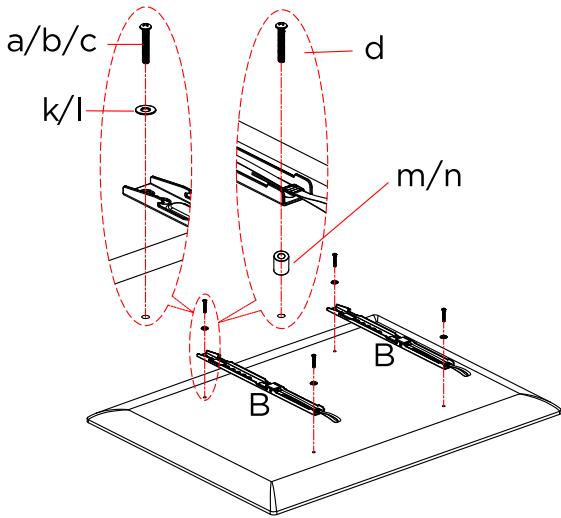


Figure 3

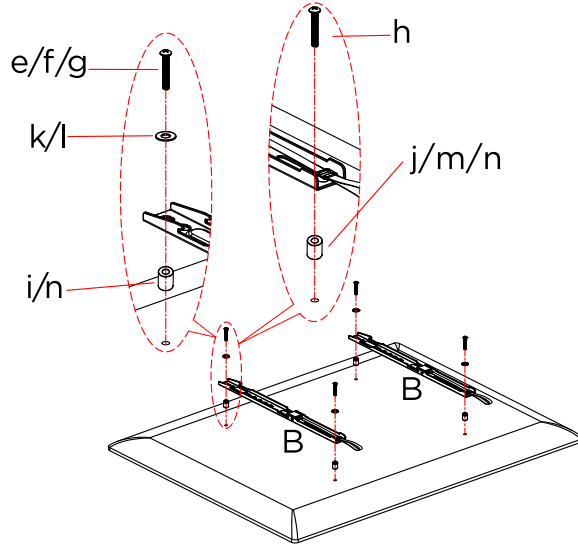


Figure 4

Step 3: Hang the pre-assembled TV unit on the wall plate and then tighten the safety screws. (Figure 5)

CAUTION: This step requires 2 or more professionals to finish.

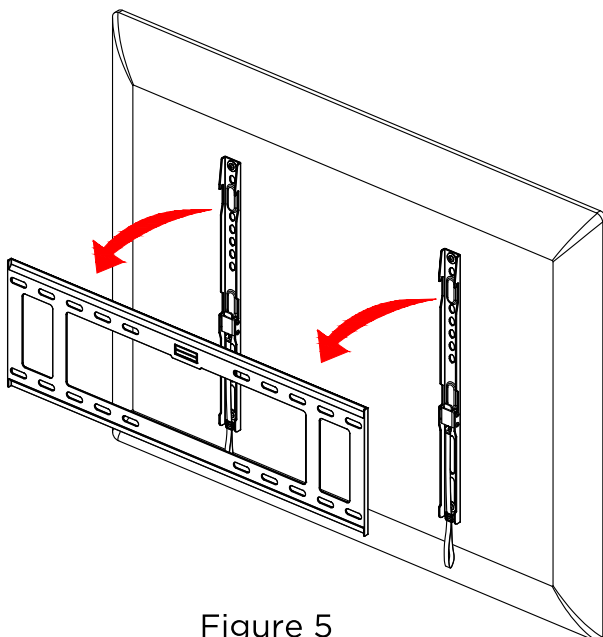


Figure 5

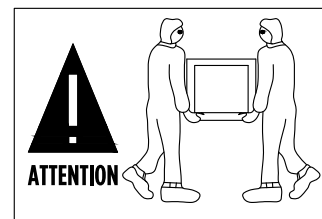


Figure 6

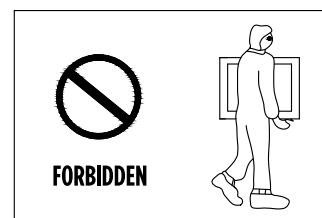


Figure 7

▲ Note: 1. Please use the corresponding screw and washer to fit the mounting holes on the rear of the TV. Assembly with the incorrect screws & washers will damage the mounting holes on the rear of the TV. Uneven assembly will cause the TV screen to sit at an angle.

2. Installation requires 2 professionals. Do not attempt to assemble this wall mount independently to avoid incorrect assembly and any possible injury.

Step 4: Hang the pre-assembled TV unit on the wall plate and pull down the strap to lock it.

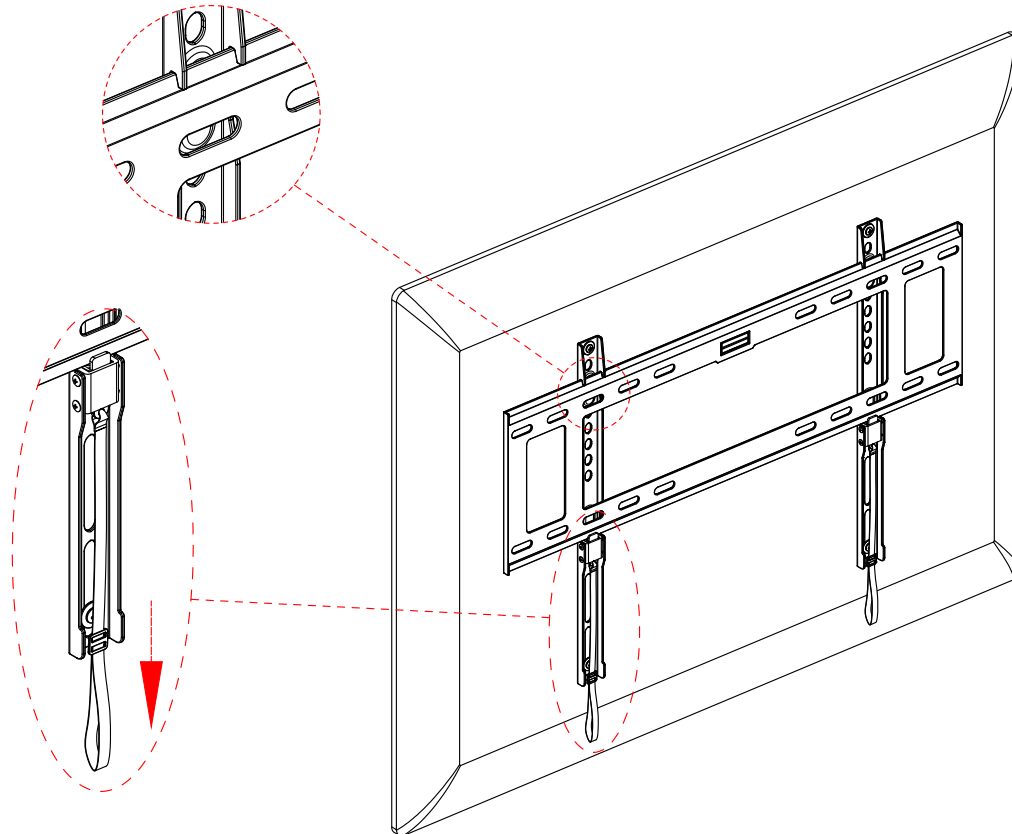


Figure 8

PAY EXTRA CARE AND ATTENTION WHEN YOU FASTEN THE TWO TV MOUNTS TO THE BACK PANEL OF THE TV IN STEP 2. MAKE SURE THE APPROPRIATE MOUNTING HARDWARE IS BEING USED PROPERLY.

1. Select the correct mounting hardware according to the screw hole size on the back of your TV and discard any remaining screws or spacers.
2. Carefully lay your TV on its face on a non-abrasive surface, making sure to lay padding underneath it so as not to damage the screen.
3. Place the left TV mount and the right mount in the appropriate position, making sure they are CENTERED on the back of the TV and LEVEL with one another.
4. This product may only be installed on perpendicular walls and may not be installed on ceilings.