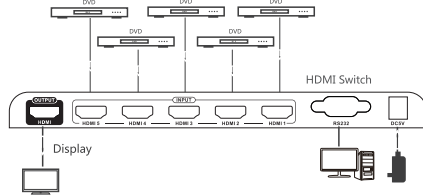


• INSTALLATION

1. Connection



Connection illustration

- 1.connect source devices and HDMI inputs of the unit
- 2.Connect display device and HDMI output of the unit
- 3.Connect the power adapter, unit power on and works
- 4.Choose your source signal via remote controller or RS232

• FAQ

Q: No image output?

- A:**
- 1) Check the power supply of splitter, make sure the power light is on.
 - 2) Check and make sure the HDMI cables connected well.
 - 3) Check and make sure the TV has been set up to the right channel.
 - 4) While connect with PC or notebook via HDMI, please make sure the output mode is mirror or extend.

Q: Display is unstable, splash screen, snowflakes or audio stuck?

- A:**
- 1) Check and make sure all connections are good and correct.
 - 2) Try to directly connect HDMI source to display, if it is the same, please change the source device.
 - 3) Use high-quality HDMI 1.4 and HDMI 2.0 cable for transmitting 4K×2K UHD signal.

• SPECIFICATION

Items	Specifications
Input ports	5 x HDMI
Output ports	1 x HDMI
Power indicator led	1 xLED
Signal indicator led	5xLED
HDMI Version	Compatible with DV11.0, HDMI1.4,HDMI2.0
HDCP Version	Compatible with HDCP1.4,HDCP2.2
Video form	Support 12 bit full HD video, 3D video and 4K×2K@30/60Hz ultra HD video
Input and output TMDs signal	0.5~1.5Vp-p(TMDs)
Input and output DDC signal	5Vp-p(TTL)
Audio	Support standard audio and DSD (Direct Stream Digital) and HD(HBR) audio
HDMI Resolution	480i/480p/756i/756p/720p/1080i/1080p/4K×2K@24/25/30/60Hz
Working temperature	0°C ~ 60°C
Power supply	DC5V/1A
Power consumption	<5W
Dimension	218mm(L)x78.8mm(W)x20.5mm(H)
Weight	420g
Color	Black

Disclaimer

The product name and brand name may be registered trademark of related manufacturers.TM and ® may be omitted on the user manual. The pictures on the user manual are just for reference,and there may be some slight difference with the real products.

We reserve the rights to make changes without further notice to a product or system described herein to improve reliability, function or design.

Metra
HOME THEATER GROUP

CS-HDM5X1SW3

5×1 HDMI Switch

User manual

4K X 2K
UHD



866.839.9187

MetraHomeTheater.com

Thank you for purchasing this product. For optimum performance and safety, please read the instructions carefully and keep the manual for future reference.

• IMPORTANT SAFETY NOTES:

Please read below safety instructions carefully before installation and operation:

Please pay attention to all the warnings and hints on this device.

Do not expose this unit to rain, moisture and liquid.

Do not put any stuff into the device.

Do not repair or open this device without professional people's guidance.

Make sure good ventilation openings to avoid product overheating damage.

Shut off power and make sure environment is safe before installation.

Do not plug-in/out the connected cables when it is in use.

Make sure the specification matched if using 3rd party DC adapters.

• PRODUCT INTRODUCTION

This 5×1 switch routes 5 different sources at resolution of up to 4K×2K @60Hz ultra HD to a HDTV display. The unit with 5 HDMI inputs, which makes this unit ideal for simultaneous connection of multiple HDMI device, such as HDTV, Set top box, DVD etc. In addition, this unit with IR receiving window and RS232 port, thus it is easy and flexible to control the input signal as you need. It is perfect for security system, medium entertainment, conference exhibition center and digital monitoring system etc.

• PACKAGE CONTENTS



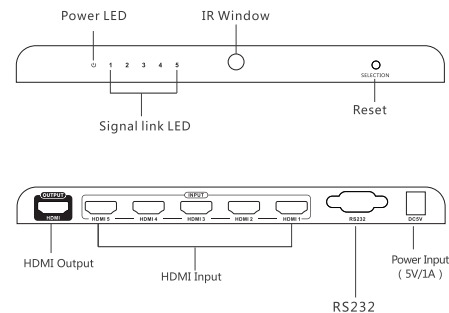
• INSTALLATION REQUIREMENT

- 1.HDMI source device(computer graphics card, DVD,PS3, HD monitoring equipment etc)
- 2.HDMI display device like SDTV, HDTV, and projector with HDMI port.

• FEATURES:

1. Switch easily between any 5 HDMI sources
2. Support resolution up to ultra HD 4K×2K@60Hz
3. Support highest bandwidth up to 10.2 Gbps
4. Support HDMI 3D
5. Support IR control and RS232 control
6. Plug and play, easy to use
7. Good Compatibility
8. Metal heat sink design , works more stable

• Panel Description



• Remote controller



⏻ is the power button, to power on/off the unit.
“<” and “>” button, to choose channel forward or backward.
“1-5” number buttons, to choose any source device as you need