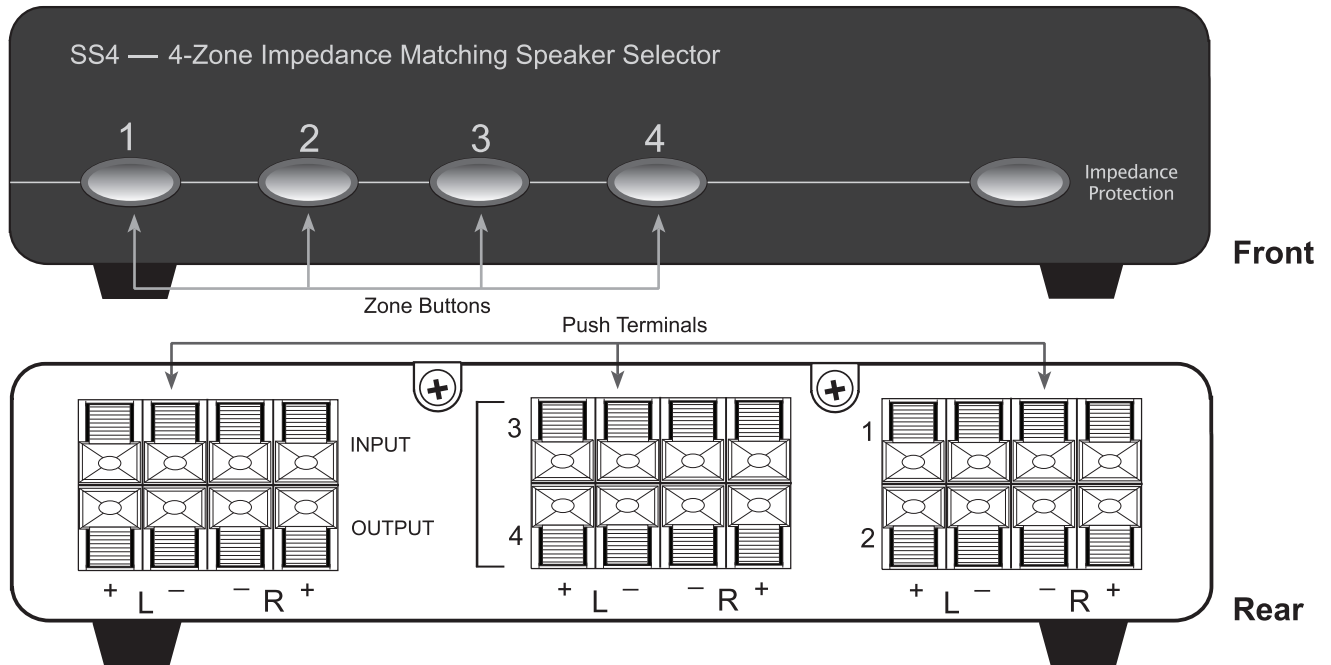


HELIOS™

AS-SS4/AS-SS6

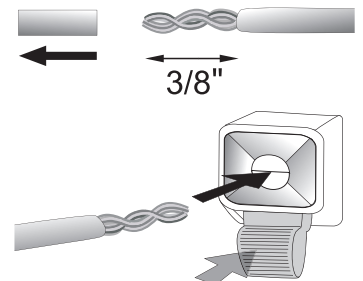


The AS-SS4 and AS-SS6 are low-profile speaker selectors that allow you to distribute a stereo speaker-level (amplified) signal to multiple listening zones. These speaker selectors feature a manually activated impedance protection circuit. The protection switch can be turned ON to prevent the impedance to your amplifier from dropping below 5 Ohms, regardless of the number and impedance ratings of your speakers. The protection switch can be turned OFF when used as part of a system incorporating impedance matching volume controls, allowing you to get the most out of your amplifier.

The terminals on the rear of the speaker selector will accommodate up to 14 gauge cable; sufficient for cable runs exceeding 100 feet. For shorter distances, 16 ~ 18 gauge cable will suffice. For in-wall installations, we recommend using CL-2 or CL-3 rated cable for compliance with local building codes. If unsure, contact your local building inspector. When connecting a speaker and amplifier, it is important to maintain polarity; positive (+/red) to positive and negative (-/black) to negative. Be careful to maintain correct polarity between the amplifier, the speaker selector, the volume controls and the speakers.

Installation

- Route speaker cables from each listening zone to the speaker selector
- Route speaker cables from the amplifier to the speaker selector
- Remove approximately 8" of the outer jacket from speaker cable (if necessary)
- Strip approximately 3/8" of insulation from each conductor and twist the exposed strands together to avoid fraying
- Press the push terminal and insert the conductor; release to make contact
- Set Impedance Protection to ON or OFF as necessary



Specifications		
	SS4	SS6
Listening Zones	4	6
Protection Circuit High Power Resistors	2 x 10 ohm/15 watt per channel	2 x 10 ohm/15 watt per channel
Power Handling with Protection Circuit ON	70 watts/channel	70 watts/channel
Power Handling with Protection Circuit OFF	140 watts/channel	140 watts/channel
Dimensions: L x W x H	216 x 112 x 49 mm 8.5" x 4.4" x 1.93"	433 x 112 x 49 mm 17" x 4.4" x 1.93"

Never place a speaker selector where it is exposed to excessive moisture or heat. Leave at least 1" of space above the unit for heat dissipation.