

# POWER OUTLET RELOCATOR

## Installation Instructions

AS-PWRLOCATE

HELIOS™  
BY AUDIO SOLUTIONS

**KIT CONTENTS:**

HOLE SAW

FISH TAPE (10FT)

IN-WALL HOUSINGS

FEMALE CROWN

MALE CROWN

IN-WALL POWER CABLE (9FT)

SCREWS (4)

FASCIA HOUSINGS

POWER CABLE (6FT)

**TOOLS NEEDED:**

PENCIL

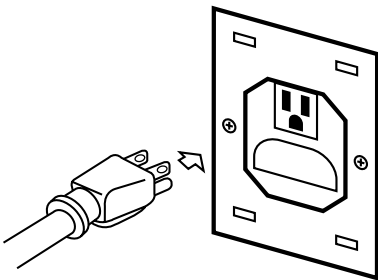
TAPE MEASURE

TAPE

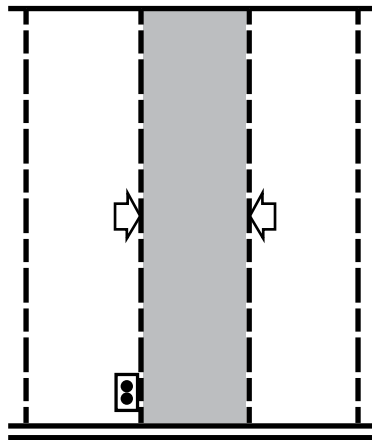
PHILLIPS SCREWDRIVER

LEVEL

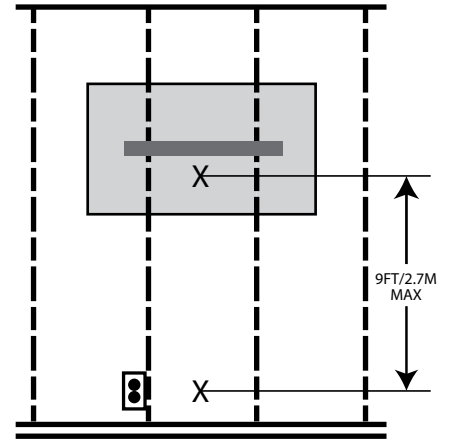
**1** Check plug size from your TV



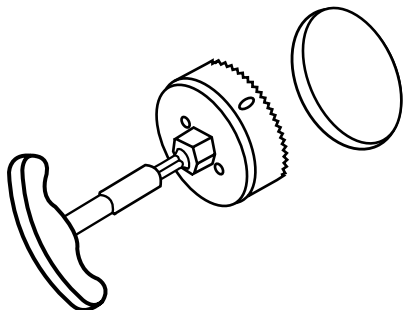
**2** Center between studs



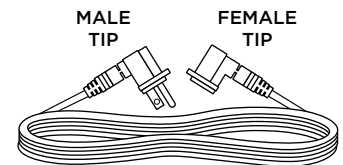
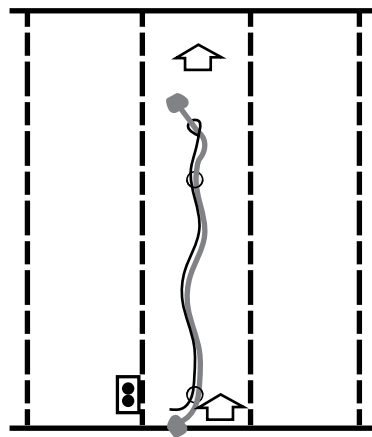
**3** Measure and mark the location for holes with pencil



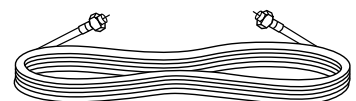
**4** Drill holes with provided Hole Saw



**5** Use Fish Tape to snake the In-Wall Power Cable into the wall with the **Female Tip at the top** and the **Male Tip at the bottom**. Use tape to secure the Fish Tape if needed.



**NOTE: Snake any additional cables at this time. Coax cable not included.**



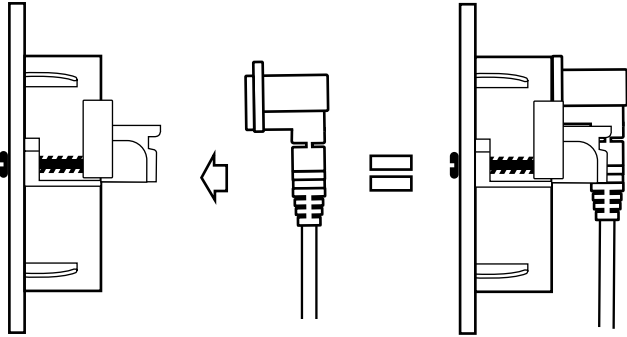
# POWER OUTLET RELOCATOR

## Installation Instructions continued

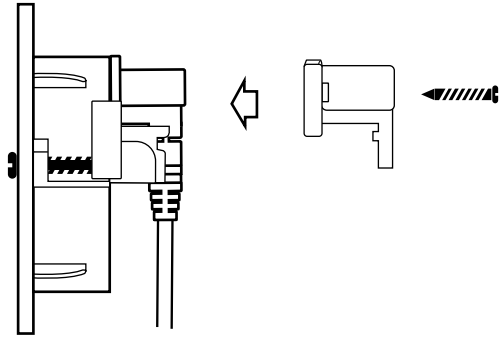
AS-PWRLOCATE

HELIOS™  
BY AUDIO SOLUTIONS

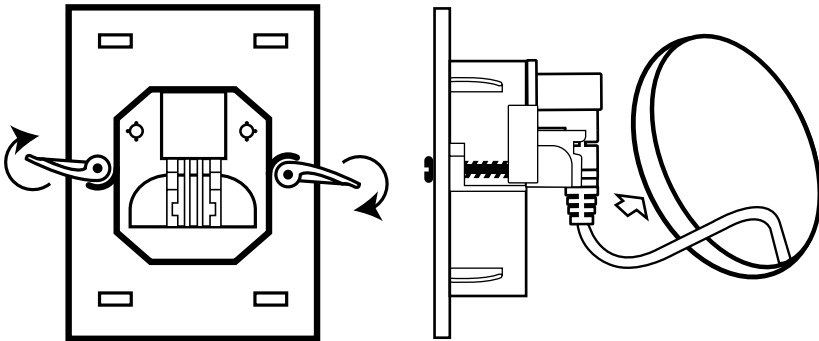
- 6** At the top, insert Female Tip into the back side of an In-Wall Housing unit. Repeat at the bottom with the Male Tip.



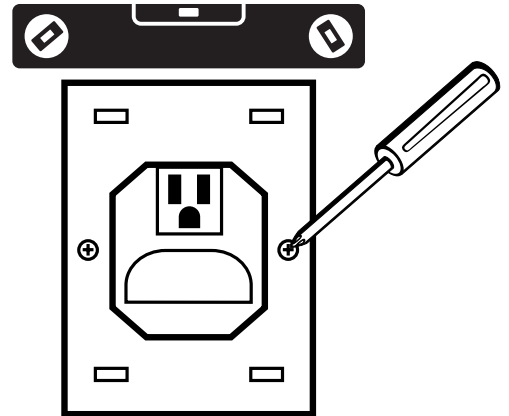
- 7** Snap on Female Crown over the Plug Tip and secure with screws. Repeat at the bottom with the Male Tip and Male Crown.



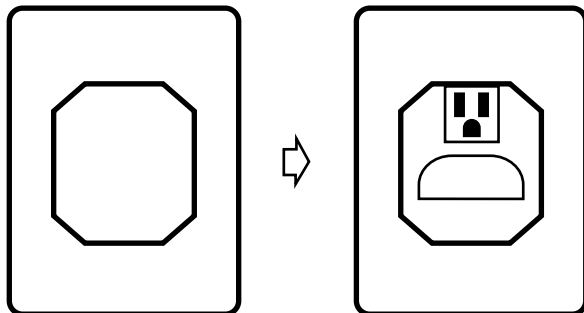
- 8** Fold in Dog Ears and slide Housing into wall. Repeat at the bottom with the Male Housing.



- 9** Level and screw Dog Ears until Housing is secure. Repeat at the bottom with the Male Housing.



- 10** Snap Housing Fascia onto the front of the Housing. Repeat at the bottom with the Male Housing.



- 11** Plug Extension Cord into the bottom device. Installation is now complete.

