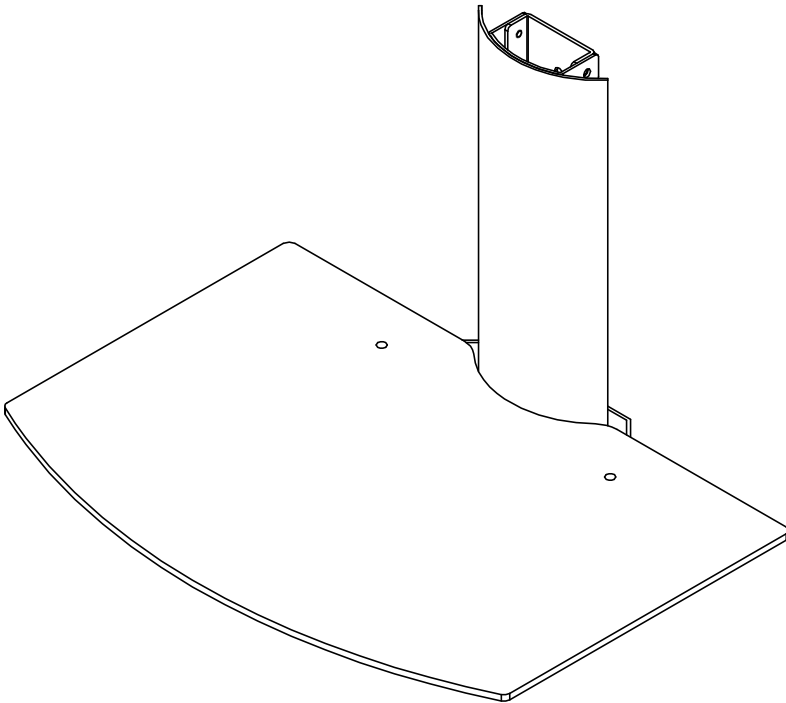


HELIOS™

ASSEMBLY INSTRUCTIONS

AS-DVDSHELF1



-
- Please read these instructions carefully before using.
 - This model will hold DVD/VCD/Satellite Receiver.
 - Load capacity: 10kg (22Lbs) per shelf.

Introduction

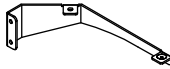
Congratulations on the purchase of your new Helios™ AS-DVDSHELF1 Component shelf. For maximum benefit, please read the entire manual before beginning installation.

NOTE: This component shelf has been designed to work with DVD players, Cable/Satellite receivers and game consoles with a maximum weight of 22bs (10kg).

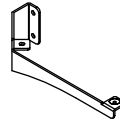
Supplied Parts and Hardware: *(Some parts not shown at same scale)*



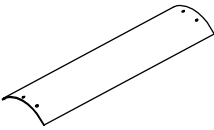
A--Post 1pcs



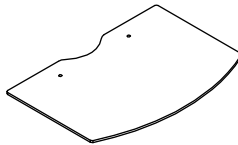
B--Right shelf support 1pcs



C--Left shelf support 1pcs










D--Plastic cover 1pcs


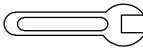


E--Glass shelf 1pcs

● Assembly Hardware:

						
A --square head screw 3pcs	B --concrete bolt 3pcs	C --M6X8mm bolt 4pcs	D--M6X15mm bolt 2pcs	E--M4X8mm bolt 4pcs	F--∅16 X ∅6.5 X 1.0mm washer 4pcs	G--M6 bolt 2pcs

● Assembly Tools:

	
H --allen key 1pcs	I --wrench 1pcs

Safety Warning

Please read this entire manual carefully before assembling this unit and mounting to the wall to avoid bodily injury and/or any property loss. If you do not understand these directions, or have any doubts about the safety of the installation, please call a qualified contractor or contact the Helios™ customer service department @ 1-866-839-9187. Please check carefully to ensure there are no missing or defective parts. Our customer representatives can quickly assist you with installation questions and missing or defective parts. Replacement parts for products purchased through authorized dealers will be shipped to you directly. Do not attempt to use any parts not provided by the manufacturer. Using other screws could cause injury or property loss. Never use defective parts, as improper installation may cause damage or serious injury. Do not use this product for any purpose not explicitly specified by Audio Solutions™. Audio Solutions™ cannot be liable for damage or injury caused by incorrect mounting, incorrect assembly, or incorrect use.

- Read these instructions.
- Keep these instructions.
- Heed all warnings.
- Follow all instructions.

Be sure to choose a wall constructed using 2x4 studs or solid concrete, or other reinforcement strong enough to support the weight of the TV. The location should be safe from hazards such as water or crushable items. **DO NOT ATTEMPT TO MOUNT THIS UNIT TO A HOLLOW WALL!**

• **WARNING:** Use only the supplied screws intended for the current application to avoid personal injury or property damage.

Assembly Instructions

Step 1: Read and understand all of the enclosed instructions and verify that all parts are present and appear in good working order before you begin.

Step 2: Attach the post (A) to the wall

Wood Stud Mounting:

The post must be mounted to a wood stud which the width should be at least 2 Inches (5CM) more than the widest point of the post to ensure the wood stud is strong enough to hold the weight of the A/V Component and product itself. Verify that mounting holes line up with center of stud. Pre-drill a 2.5 inches (6.4CM) deep hole in each marked location. Finally attach the post to the wall using wood screws and washers. Make sure the post is level and flush against the wall.

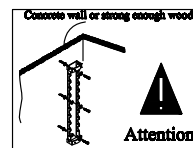
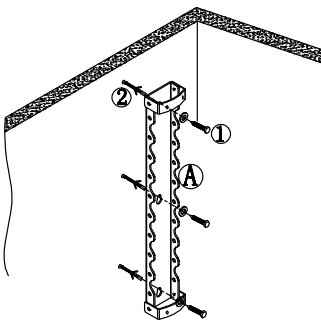


Figure 2

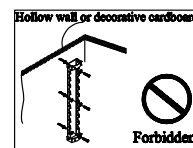


Figure 3

Concrete Wall Mounting:

Choose a solid wall area (avoid hollow walls or the screws in the joint of the bricks) then insert the plastic screw covers. Attach the post to the wall as the same instructions as it for wood stud mounting above.

Note: Be sure to choose a wall section that is strong enough to hold the weight of the A/V Component and product itself.

Figure 1 (Keep the wall plate level)

Step 3: Attach the shelf supports to the post. (Per the height you need to choose the right hole. Using screws (4) to tighten them together as the figure 4 shows)

Step 4: Attach the plastic cover to the post using screws (5)

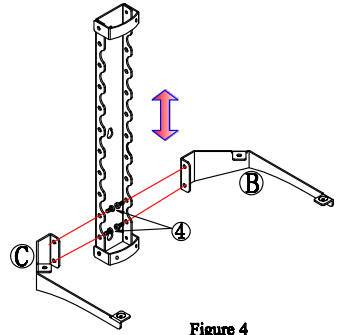
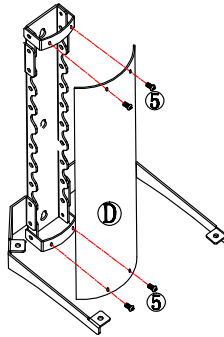
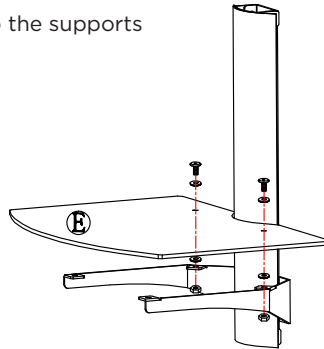


Figure 4

Step 5: Attach the glass shelves to the supports and manage the cables.



HELIOS™